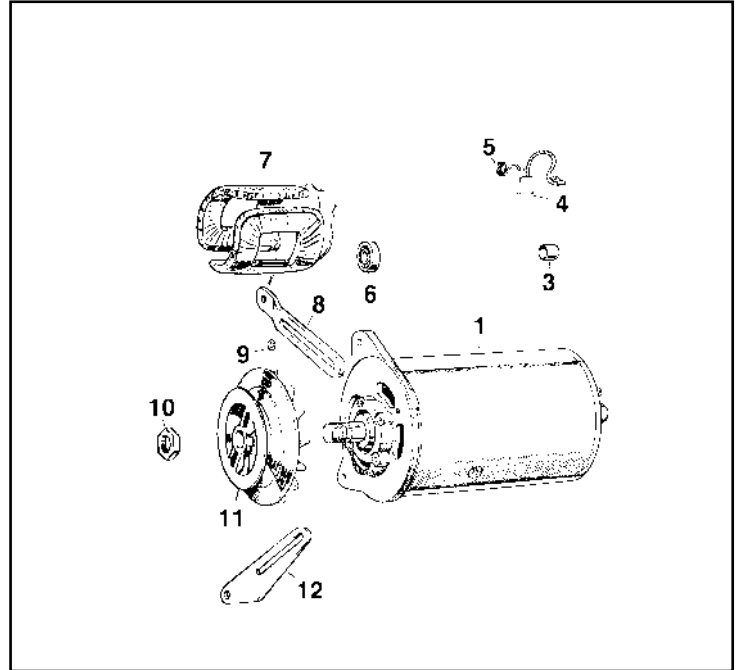


## ALTERNATOR

Ref #	Description	Qty	Part #
	<b>ALTERNATOR ASSEMBLY (REBUILT), 12V, 36 AMP</b>	<b>1</b>	<b>6886</b>
not shown	Voltage Regulator, Suffix "B"	1	7013
not shown	Rear Plug	1	*NLA 7627
not shown	Slip Ring	1	*NLA 7628
1	Bearing, Front or Rear	2	5653
2	Rectifier	1	6889
4	Brushes, Set	1	7559
5	Fan	1	6887
6	Pulley	1	6888
7	Mounting Bracket	1	6688
8	Adjusting Arm	1	6689

\*NLA = No longer available.



## GENERATOR

Ref #	Description	Qty	Part #
	Please check your generator casing for generator type before ordering parts:		
<b>1</b>	<b>2 LITRE &amp; 2-1/4 LITRE, SERIES I, II &amp; IIA PETROL &amp; DIESEL REBUILT TYPE C40, WITHOUT PULLEY OR FAN</b>	<b>1</b>	<b>5697</b>
	6 Cylinder, Series IIA, Rebuilt type C42	1	*NLA 6080
3	Bush, Commutator End	1	600
	Bush, Commutator end - C42	1	6075
4	Brushes, C39	1	4015
	Brushes, C40	1	2026
	Brushes, C42	1	3004
5	Spring Set, C40	1	1935
6	Ball Bearing, Front	1	5653
7	Field Coil	1	1527
8	Adjusting Link-Straight	1	6689
9	Spring Washer	1	5690
10	Special Nut	1	*NLA 1306
11	Pulley Only	1	*NLA 1565
12	Adjusting Link	1	6084
not shown	Voltage Regulator (on Firewall)	1	1575

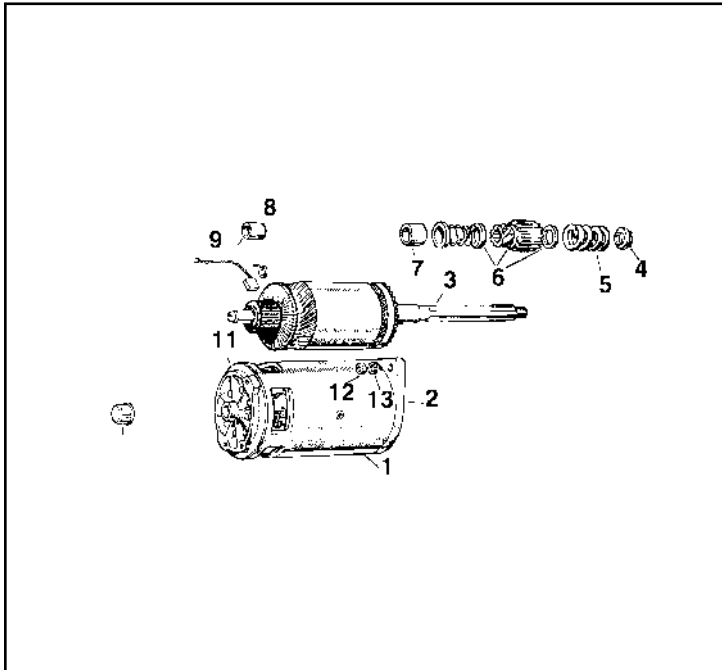
C39 type generator is commonly used on Series I, II & IIA through vehicle suffix C.

C40 Type generator is commonly used on Series IIA, 4 cylinder models.

C42 type generator is used on 6 cylinder models.

\*NLA = No longer available.

## HEATING & COOLING SYSTEM



### STARTER MOTOR

Ref #	Description	Qty	Part #
1	<b>SERIES I, (1955-58), II, IIA, III 4 &amp; 6 CYLINDER, REBUILT</b>	1	<b>161</b>
1	<b>SERIES I, II &amp; IIA DIESEL, REBUILT</b>	1	<b>2090</b>
2	Bracket, Drive end	1	*NLA 1463
3	Armature for 161	1	164
3	Armature for 160	1	3071
4	Nut for Pinion	1	*NLA 1995
5	Large Pinion Spring (all petrol)	1	298
6	Pinion & Sleeve	1	*NLA 738
6	Pinion & Sleeve, Diesel	1	*NLA 2047
7	Bush, Pinion end	1	2025
not shown	Bush Kit Pet. Starter	1	2002
8	Bush, Commutator end - all	1	2001
9	Spring Set (M418G)	1	*NLA 5482
	Brush & Spring Set (2M100)	1	3072
	Brush & Spring Set (Diesel)	1	1934
11	Bracket, Commutator (end)	1	1461
12	Nut, 3/8 UNF	2	1502
13	Spring Washer	2	3096
not shown	Sundry Parts Kit	1	1465
not shown	Cup for Armature	1	7588
not shown	Circlip for Shaft	1	7587
not shown	Retaining Kit for Pinion (M418G)	1	739
not shown	Retaining Kit for Pinion (2M100)	1	3101
not shown	Bolt Fixing Starter	2	*NLA 2911
not shown	Self Locking Nut for Bolt	2	1389
not shown	Flywheel Ring Gear	1	69
not shown	<b>STARTER SOLENOID PETROL* 1 5791</b>		
not shown	<b>STARTER SOLENOID, DIESEL 1 1898</b>		

\*Solenoid Mounted on Firewall for Suffix "D" on 4-6 cylinder & Series III.

**\*NLA = No longer available.**

#### Description

#### Qty

#### Part #

#### RADIATOR

<b>RADIATOR ASSEMBLY, ALL</b>	1	<b>6377</b>
(Requires use of latest style Radiator hoses '69 on)		
Radiator Cap, Two Ear type, 9 lb	1	5741
Radiator Drain Tap	1	4067
Radiator Plug	1	5600
Chain for Filler Cap	1	211
Cap, Radiator Overflow bottle	1	6372
Flushing T	1	8196
Hose Clamp, Radiator (2 per hose)	6	6271

#### HOSES

	TOP	BOTTOM	INTER
Hose, Radiator, 2-1/4 Petrol '69 on	5979	5978	1564
Hose, Radiator, 2-1/4 '61-'68	1229	1350	1564
Hose, Radiator, 2-1/4 '58-'60	848	*NLA 761	1564
Hose, Radiator, 2 Litre '53-'58	53	71	70
Hose, Radiator, 2.6 Litre, all	*NLA 7601	5946	588
Hose Clamp, Stainless Steel, (2 per hose)	6271	6271	6271

#### HEATER PARTS

<b>HEATER CORE, 1968 ON</b>	1	<b>3611</b>
Heater Blower Motor, '68 on	1	*NLA 7508
Heat Control Valve, Series III	1	7614
(to fit IIA, need part #7615 & #7616)		
Fitting, Heater Valve to Block	1	7615
Compressible Washer, Seals 7615	1	7616
Heater Hose Clamps	as needed	7613
Intake Grill, IIA & III, Side Mounted	1	5988
Switch, 3 position Toggle	1	5650
Heater Hose Fitting Series III, Rear of Cylinder Head	1	7618
Heater Hose Fitting, Metric Thread, Rear of Cylinder Head	1	*NLA 7627
Cable Clamp, Inner Cable, Heater Valve	1	356
Foam Seal Heater Towing	1	4906

#### DEFROSTER HOSE

Flexible Hose, Fresh Air Intake, Side, '68 on	1	*NLA 7617
Defroster Hose, 6' x 1-1/4"	1	3013
Defroster Hose, 6' x 1-1/2"	1	3014
Defroster Hose, 6' x 2"	1	3020
Flexible Hose, Fresh Air, Intake, Front, 6' x 4-1/2"	1	*NLA 3016
Flexible Hose, Kodiak, 3.5" - 6'	1	7619

#### HEATER HOSE, IIA, '68 on

Hose, "L" Shape, Connects Hose at Left Rear Corner	1	*NLA 7607
Hose Clamps	as needed	7613

#### HEATER HOSES, SERIES III

Hose, Into and out of Heater Unit	2	7610
Hose, Tapered at Valve	1	7611
Hose, "L" shape, Pipe to Block, Left front Corner	1	7612
Hose Clamps	as needed	7613